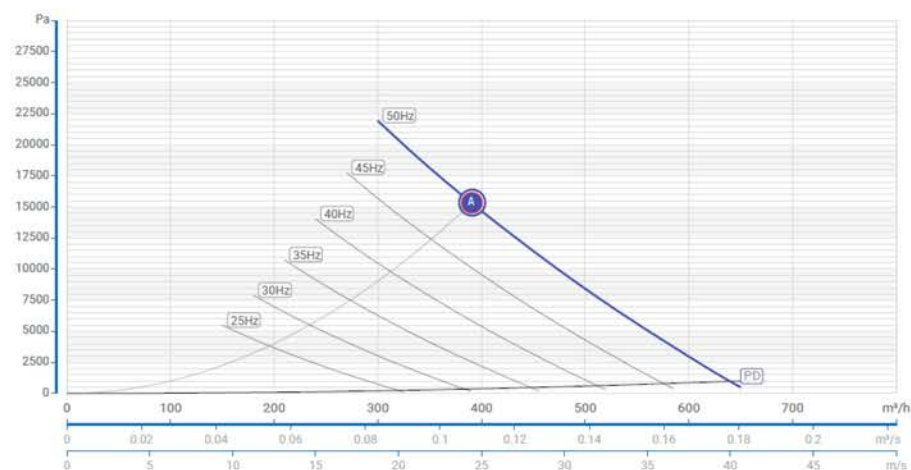


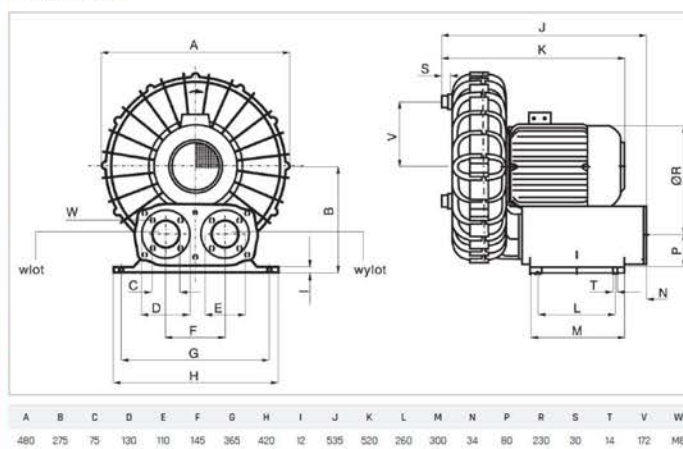
Seitenkanalverdichter SC40A 400T IE 3 Bj. 2015



Static pressure [Pa]



DIMENSIONS [mm]



Electrical data

Number of phases	3
Nominal voltage	400 V
Nominal power	4000 W
Nominal frequency	50 Hz
Nominal current	7.3 A